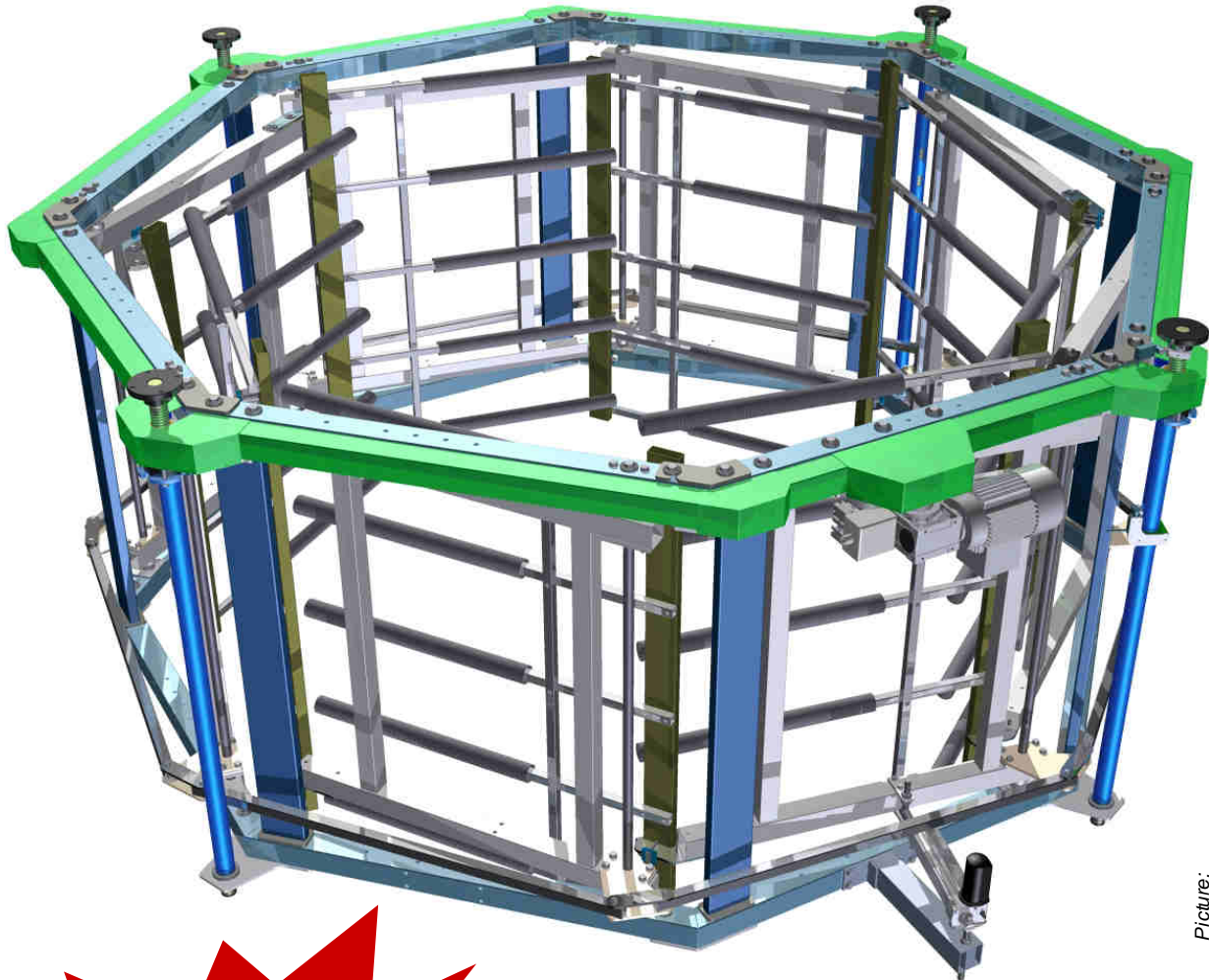


CALIBRATION BASKET FOR BLOWN FILM EXTRUSION  
EVOLUTION **ROLL08** **BIG013**

SIZES  
**3200÷12500**



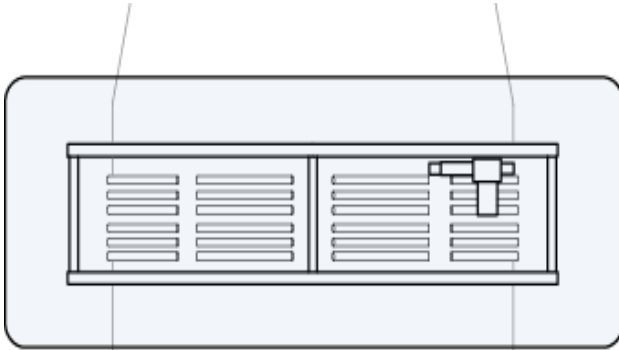
Picture:  
RA3800-8-5-ROLL08-H1000SP

**BIG BASKETS  
UP TO  
25 MT FOIL**



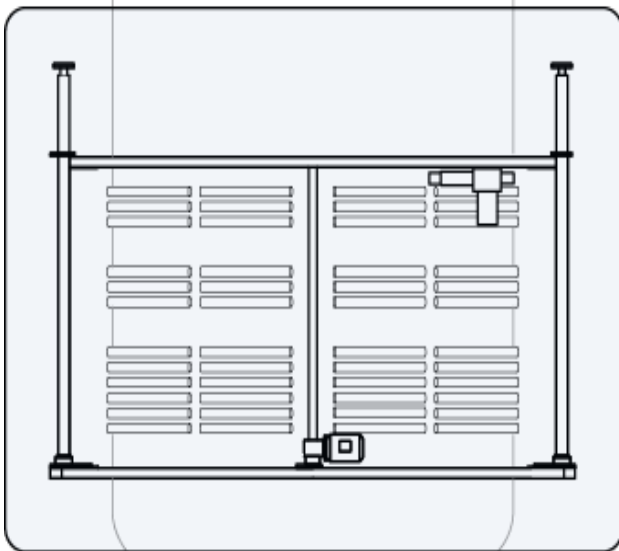


# EVOLUTION **ROLL08 BIG013**



## SUPPORT BASKET

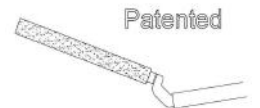
**FM**      8 ARMS      2/3/4/5 LEVELS



## PRIMARY BASKET

**RA**      8 ARMS      4/5/6 LEVELS

**8 ARMS**



Models:

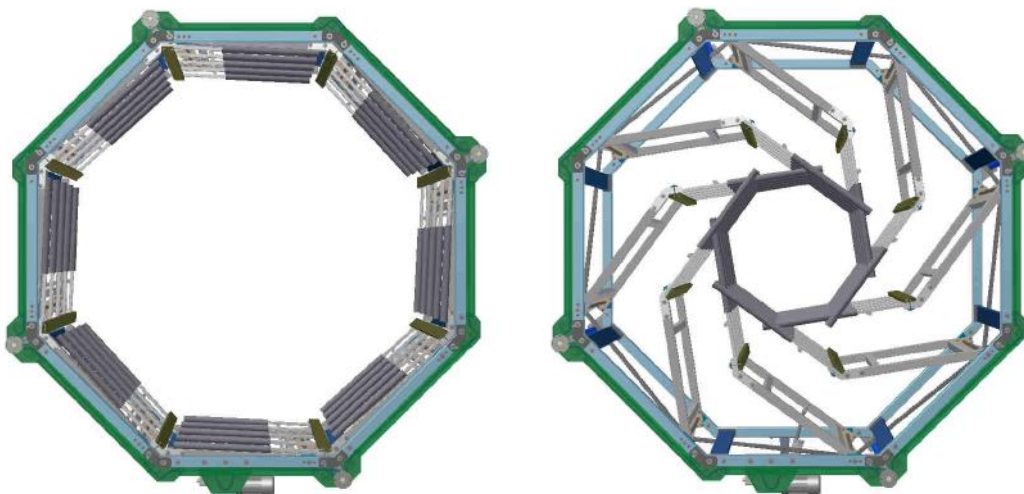
<b>RA</b>	WITH	VERTICAL ADJUSTMENT
<b>FM</b>	WITHOUT	VERTICAL ADJUSTMENT

<b>ORDER CODE:</b>	<b>RA</b>	<b>3200</b>	<b>-</b>	<b>8</b>	<b>-</b>	<b>5</b>	<b>-</b>	<b>ROLL08</b>	<b>-</b>	<b>W</b>	<b>-</b>	<b>H... SP</b>	<b>+ ...</b>
	Model	Size		Arms		Levels		Series		Rollers Type		Vertical Stroke/Type	Options

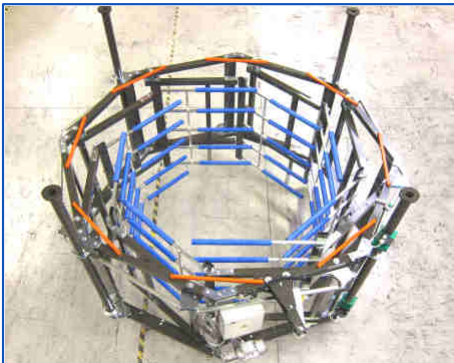
MODELS:	<b>RA</b>	<b>WITH</b>	VERTICAL ADJUSTMENT
	<b>FM</b>	<b>WITHOUT</b>	VERTICAL ADJUSTMENT

SIZES	LFW (mm) MIN - MAX	LFW (inch) MIN - MAX	MAX OPEN FOIL	LIFTING ELEMENTS
<b>3200</b>	900 ÷ 3240	35" ÷ 127"	6,5 mt	4
<b>3500</b>	1000 ÷ 3550	39" ÷ 140"	7,1 mt	4
<b>3800</b>	1100 ÷ 3840	43" ÷ 151"	7,6 mt	4
<b>4100</b>	1200 ÷ 4150	47" ÷ 163"	8,3 mt	4
<b>4400</b>	1300 ÷ 4450	51" ÷ 175"	8,9 mt	4
<b>4700</b>	1350 ÷ 4755	53" ÷ 187"	9,5 mt	4
<b>5000</b>	1400 ÷ 5070	55" ÷ 200"	10,1 mt	4
<b>5500</b>	1500 ÷ 5580	59" ÷ 220"	11,2 mt	4
<b>6000</b>	1600 ÷ 6090	63" ÷ 240"	12,2 mt	4
<b>6500</b>	1700 ÷ 6570	67" ÷ 258"	13,1 mt	8
<b>7000</b>	1850 ÷ 7075	73" ÷ 278"	14,1 mt	8
<b>7500</b>	2000 ÷ 7600	79" ÷ 300"	15,2 mt	8
<b>8000</b>	2100 ÷ 8090	83" ÷ 318"	16,2 mt	8
<b>9000</b>	2400 ÷ 9120	94" ÷ 360"	18,2 mt	8
<b>10000</b>	2700 ÷ 10150	106" ÷ 400"	20,3 mt	8
<b>11000</b>	3000 ÷ 11150	118" ÷ 440"	22,3 mt	8
<b>12500</b>	3300 ÷ 12700	130" ÷ 500"	25,4 mt	8

LAYFLAT dimensions are already calculated considering a standard **3% film shrinkage** during the cooling







- STRONG DESIGN FOR LONG LASTING RELIABILITY
- DESIGNED FOR THE EASIEST REASSEMBLY ON SITE
- READY FOR IBC SYSTEMS ANY MANUFACTURER
- SAFETY DEVICE ON VERTICAL ADJUSTMENT
- LIFTING SYSTEM VIA SPINDLE GROUPS OR TELESCOPIC COLUMNS TO MEET EVERY POSSIBLE INSTALLATION LAYOUT
- EXTREME PRECISION ALL AROUND THE BUBBLE CIRCUMFERENCE
- SMOOTH-RUNNING ROLLERS MAINTENANCE-FREE
- ROLLER BEARINGS IN PROTECTED POSITION TO AVOID ANY CONTAMINATION
- SAFETY DEVICE AGAINST OVERBLOWING
- WIDE RANGE OF OPTIONS AVAILABLE TO SATISFY ANY NEEDS OF CONFIGURATION

### MAXIMUM FLEXIBILITY

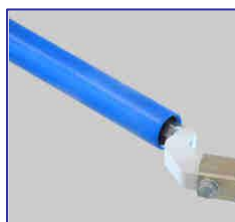
ROLLERS CAN BE EASILY UPDATED FOR ANY NEED OF IMPROVEMENT OF THE EXTRUSION LINE OVER THE YEARS

## GUIDING ROLLERS:



INSULATING WOOL SOCKETS:

CODE **-W**



SILICONE:

CODE **-SIL** SOLID  
CODE **-ESIL** FOAMED  
CODE **-WSIL** WOOL+SIL



CARBON FIBER:

CODE **-CF**  
CODE **-CFW** WITH WOOL  
CODE **-CFNSP** EXTREME NO-STICK

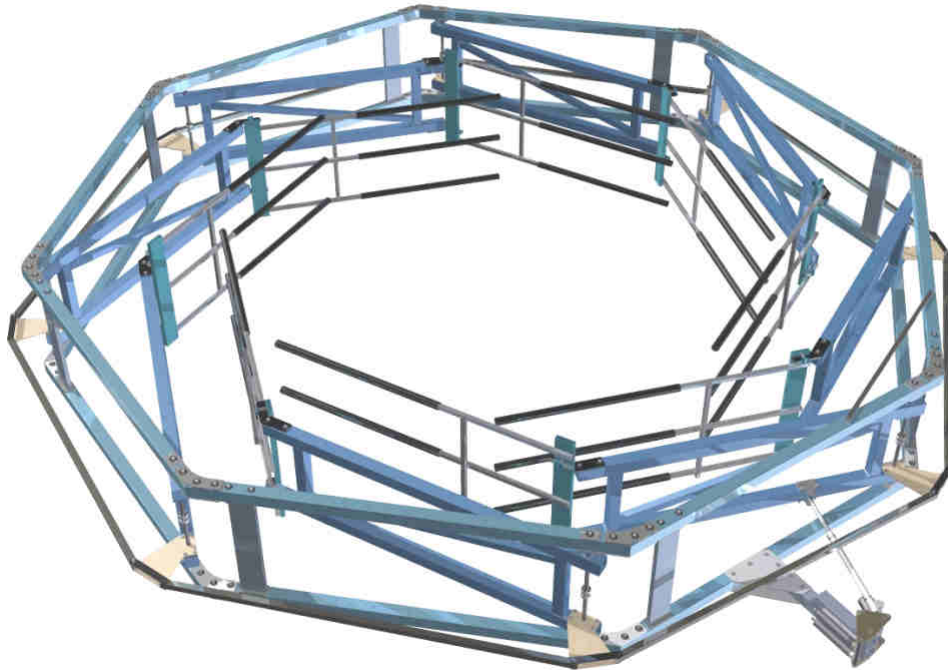


OTHER SOLUTIONS:

CODE **-ENS** ALU EXTREME NO-STICK  
CODE **-PTFE** TEFLON COATED  
OTHER SOLUTIONS ON REQUEST

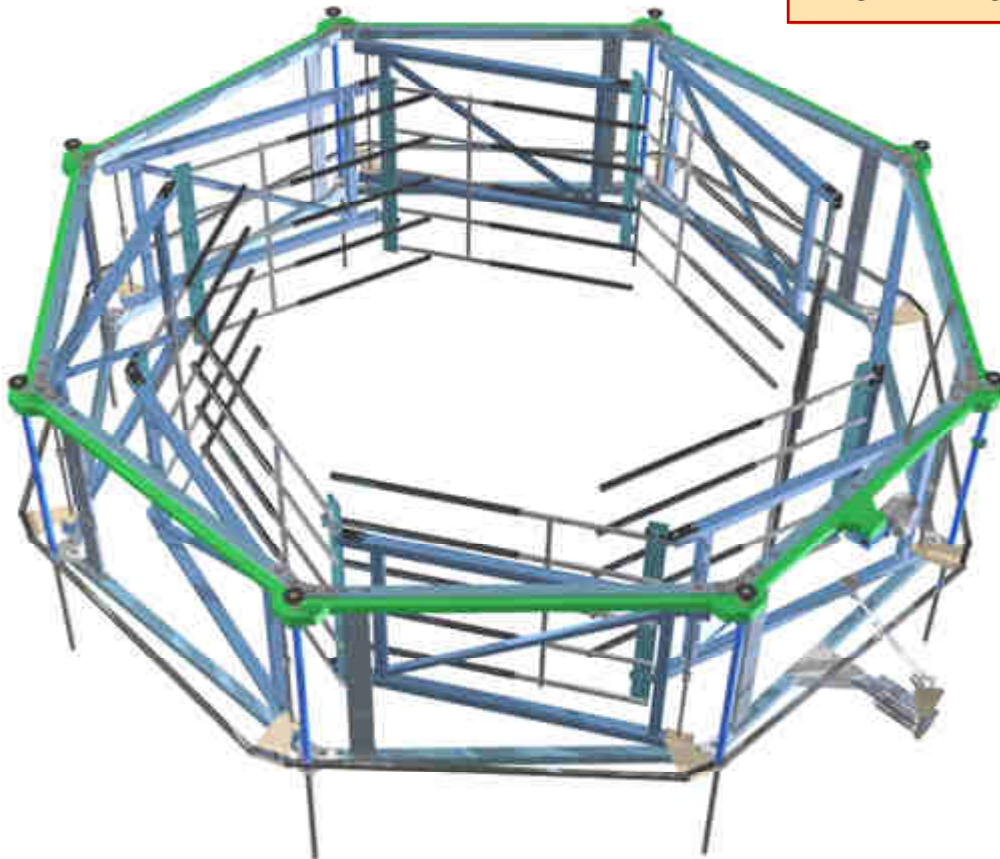
## SUPPORT BASKET

"FM"



## PRIMARY BASKET

"RA"

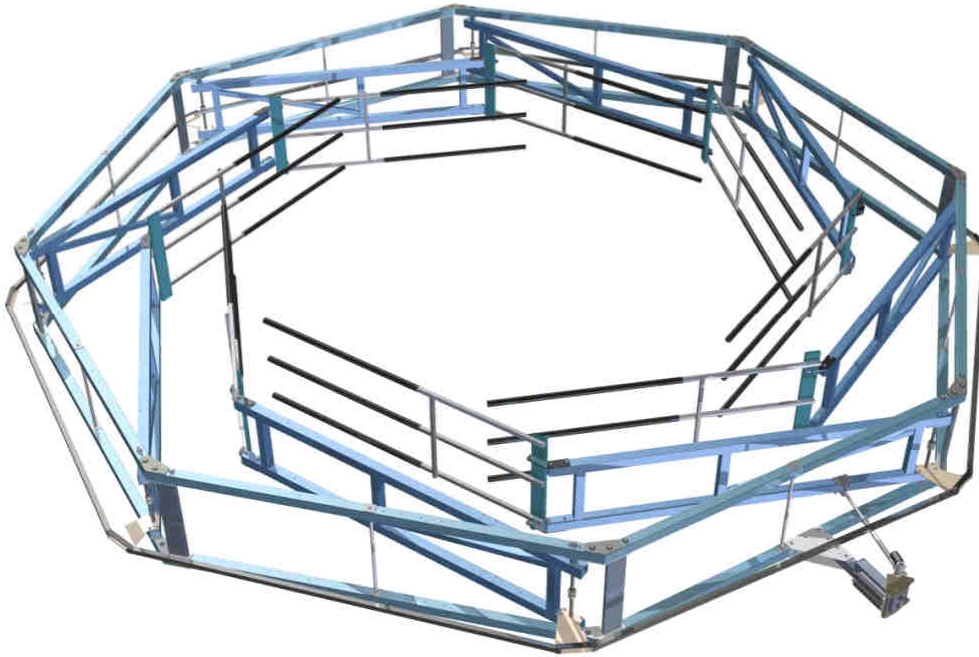


LIFTING SYSTEM: **SP**  
**SPINDLE GROUPS**



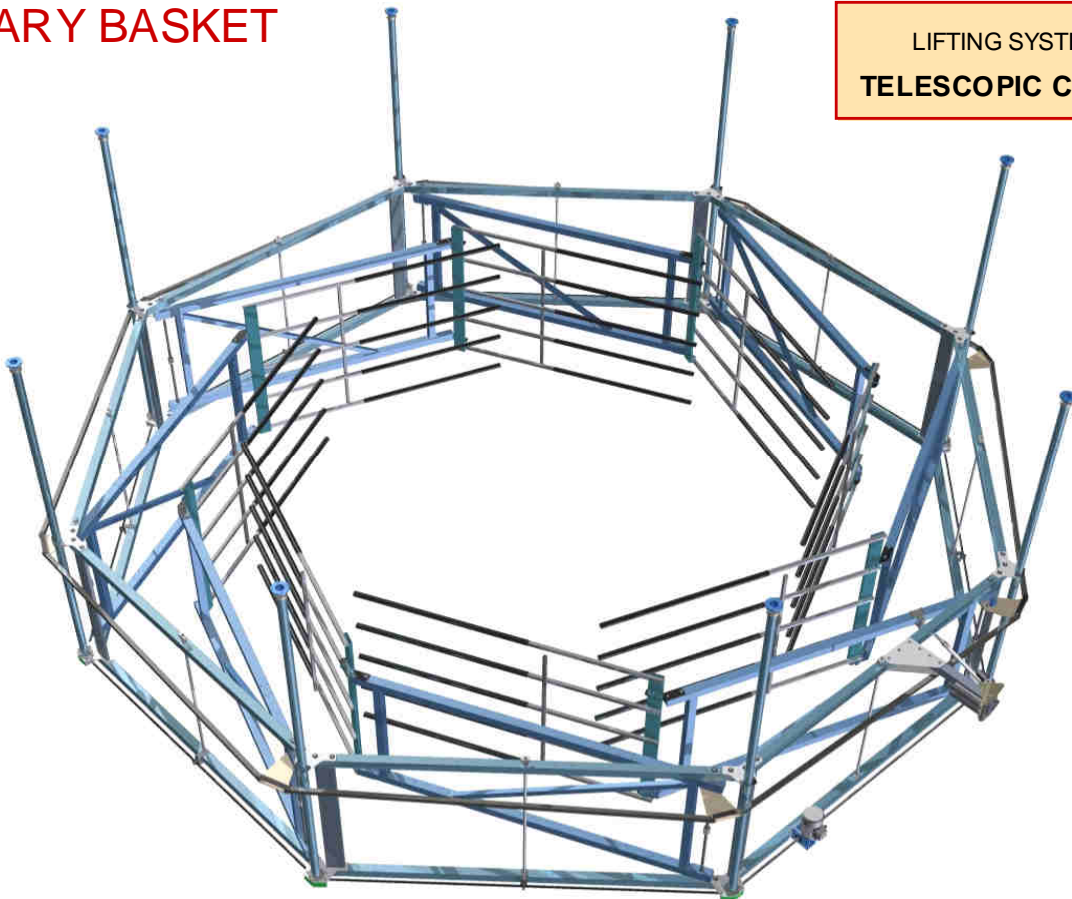
## SUPPORT BASKET

"FM"



## PRIMARY BASKET

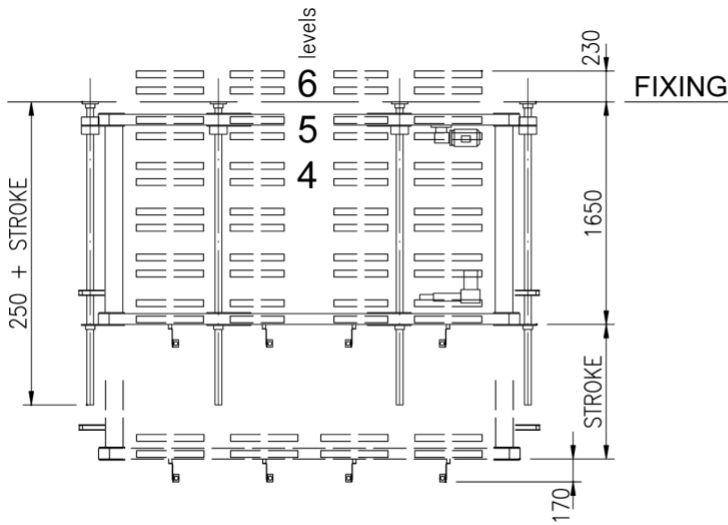
"RA"



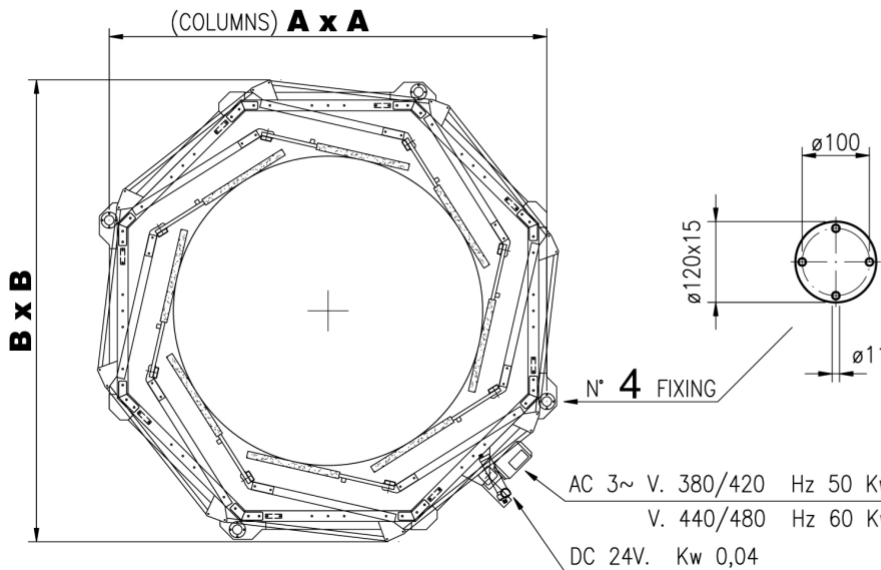
LIFTING SYSTEM: **C**  
TELESCOPIC COLUMNS

**SIZES 3200 ÷ 6000**

MODEL	LIFTING TYPE
<b>RA</b>	<b>SP</b>
	SPINDLE GROUPS



VERTICAL STROKES AVAILABLE (mm)
1000
1500
2000
2500



RA 5000/6000

AC 3~ V. 380/420 Hz 50 Kw 0.75 Kw 1.1  
V. 440/480 Hz 60 Kw 0.9 Kw 1.3  
DC 24V. Kw 0,04

LAYFLAT dimensions are already calculated considering a standard **3% film shrinkage** during the cooling

MODEL	Ø FILM MIN - MAX	LAYFLAT MIN - MAX	A	B	KG. (5 LEV.)
RA 3200-8-* -ROLL08-* -H...SP	573 ÷ 2063	900 ÷ 3240	2650	2830	810
RA 3500-8-* -ROLL08-* -H...SP	637 ÷ 2261	1000 ÷ 3550	2850	3030	840
RA 3800-8-* -ROLL08-* -H...SP	700 ÷ 2446	1100 ÷ 3840	3050	3230	870
RA 4100-8-* -ROLL08-* -H...SP	764 ÷ 2643	1200 ÷ 4150	3250	3430	890
RA 4400-8-* -ROLL08-* -H...SP	828 ÷ 2834	1300 ÷ 4450	3450	3630	930
RA 4700-8-* -ROLL08-* -H...SP	860 ÷ 3028	1350 ÷ 4755	3650	3830	960
RA 5000-8-* -ROLL08-* -H...SP	892 ÷ 3230	1400 ÷ 5070	3850	4030	990
RA 5500-8-* -ROLL08-* -H...SP	955 ÷ 3555	1500 ÷ 5580	4190	4370	1020
RA 6000-8-* -ROLL08-* -H...SP	1020 ÷ 3880	1600 ÷ 6090	4530	4710	1160

Film width already deduced for shrinkage

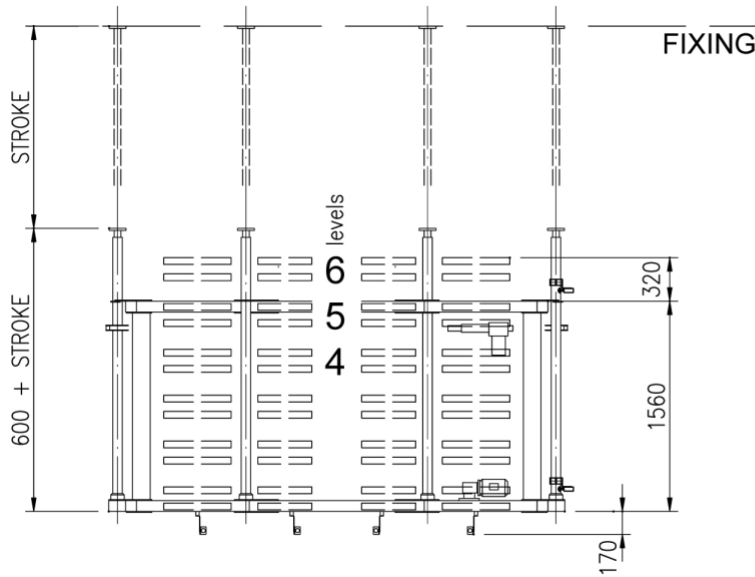
N° Levels ↗ Roller Code ↗ Vertical stroke ↗

DWG 10-12-197

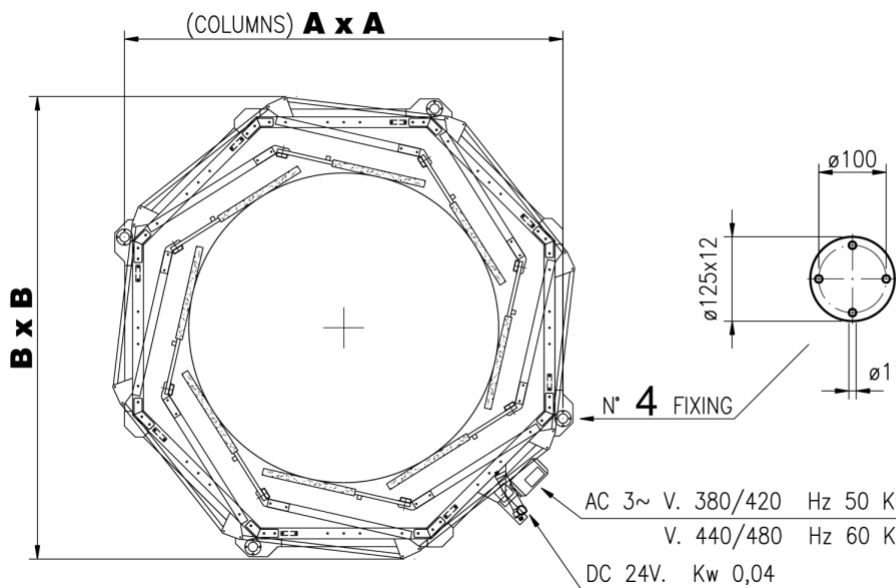


**SIZES 3200 ÷ 6000**

MODEL	LIFTING TYPE
<b>RA</b>	<b>C</b> TELESCOPIC COLUMNS



VERTICAL STROKES AVAILABLE (mm)
1000
1500
2000
2500
3000



RA 5000/6000

AC 3~ V. 380/420 Hz 50 Kw 0.75 Kw 1.1  
V. 440/480 Hz 60 Kw 0.9 Kw 1.3  
DC 24V. Kw 0,04

LAYFLAT dimensions are already calculated considering a standard **3% film shrinkage** during the cooling

MODEL	Ø FILM MIN - MAX	LAYFLAT MIN - MAX	A	B	KG. (5 LEV.)
RA 3200-8-* -ROLL08-* -H...C	573 ÷ 2063	900 ÷ 3240	2650	2830	850
RA 3500-8-* -ROLL08-* -H...C	637 ÷ 2261	1000 ÷ 3550	2850	3030	880
RA 3800-8-* -ROLL08-* -H...C	700 ÷ 2446	1100 ÷ 3840	3050	3230	910
RA 4100-8-* -ROLL08-* -H...C	764 ÷ 2643	1200 ÷ 4150	3250	3430	930
RA 4400-8-* -ROLL08-* -H...C	828 ÷ 2834	1300 ÷ 4450	3450	3630	970
RA 4700-8-* -ROLL08-* -H...C	860 ÷ 3028	1350 ÷ 4755	3650	3830	1000
RA 5000-8-* -ROLL08-* -H...C	892 ÷ 3230	1400 ÷ 5070	3850	4030	1030
RA 5500-8-* -ROLL08-* -H...C	955 ÷ 3555	1500 ÷ 5580	4190	4370	1060
RA 6000-8-* -ROLL08-* -H...C	1020 ÷ 3880	1600 ÷ 6090	4530	4710	1200

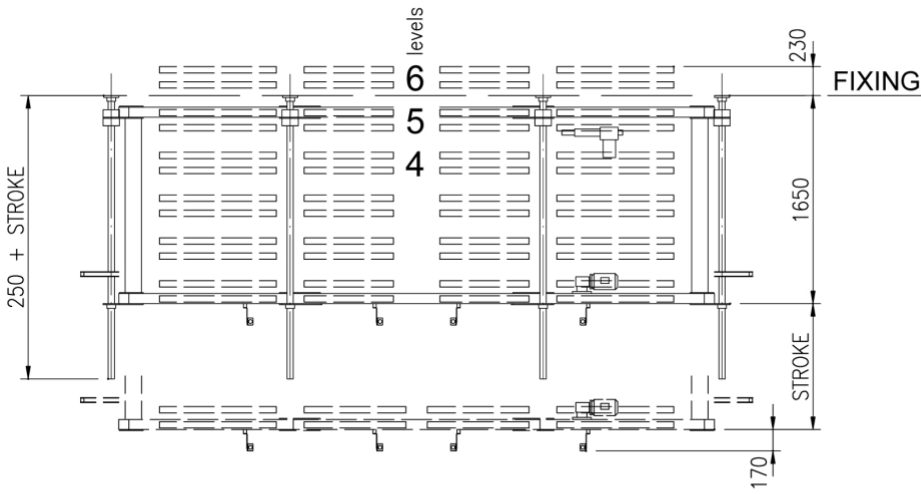
Film width already deduced for shrinkage

N° Levels ↗ Roller Code ↗ Vertical stroke ↘

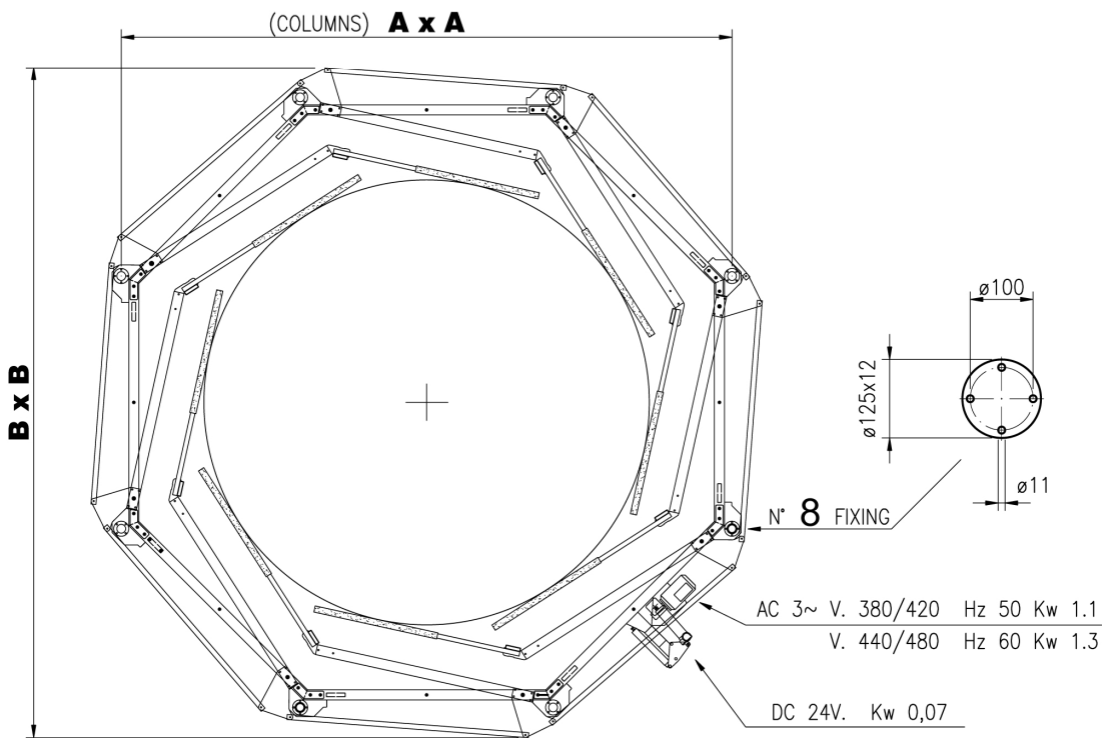
DWG 10-12-194

**SIZES 6500 ÷ 9000**

MODEL	LIFTING TYPE
<b>RA</b>	<b>SP</b>
	SPINDLE GROUPS



VERTICAL STROKES AVAILABLE (mm)
1000
1500
2000
2500



LAYFLAT dimensions are already calculated considering a standard **3% film shrinkage** during the cooling

MODEL	Ø FILM MIN - MAX	LAYFLAT MIN - MAX	A	B	KG. (5 LEV.)
RA 6500-8-* -ROLL08-* -H...SP	1083 ÷ 4185	1700 ÷ 6570	4860	5350	1450
RA 7000-8-* -ROLL08-* -H...SP	1178 ÷ 4505	1850 ÷ 7075	5200	5690	1500
RA 7500-8-* -ROLL08-* -H...SP	1275 ÷ 4840	2000 ÷ 7600	5540	6030	1550
RA 8000-8-* -ROLL08-* -H...SP	1337 ÷ 5150	2100 ÷ 8090	5880	6370	1600
RA 9000-8-* -ROLL08-* -H...SP	1528 ÷ 5810	2400 ÷ 9120	6560	7050	1700

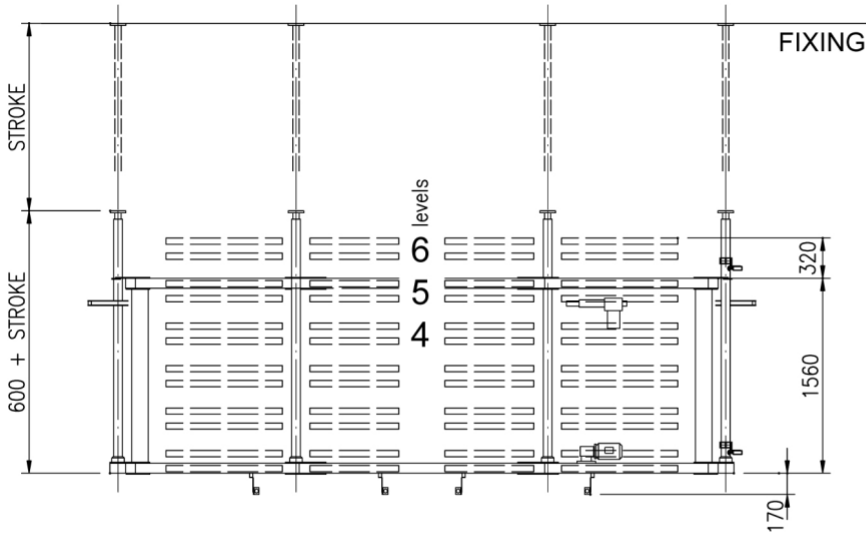
Film width already  
declassified for  
shrinkage

N° Levels ↗ Roller Code ↗ Vertical stroke ↘

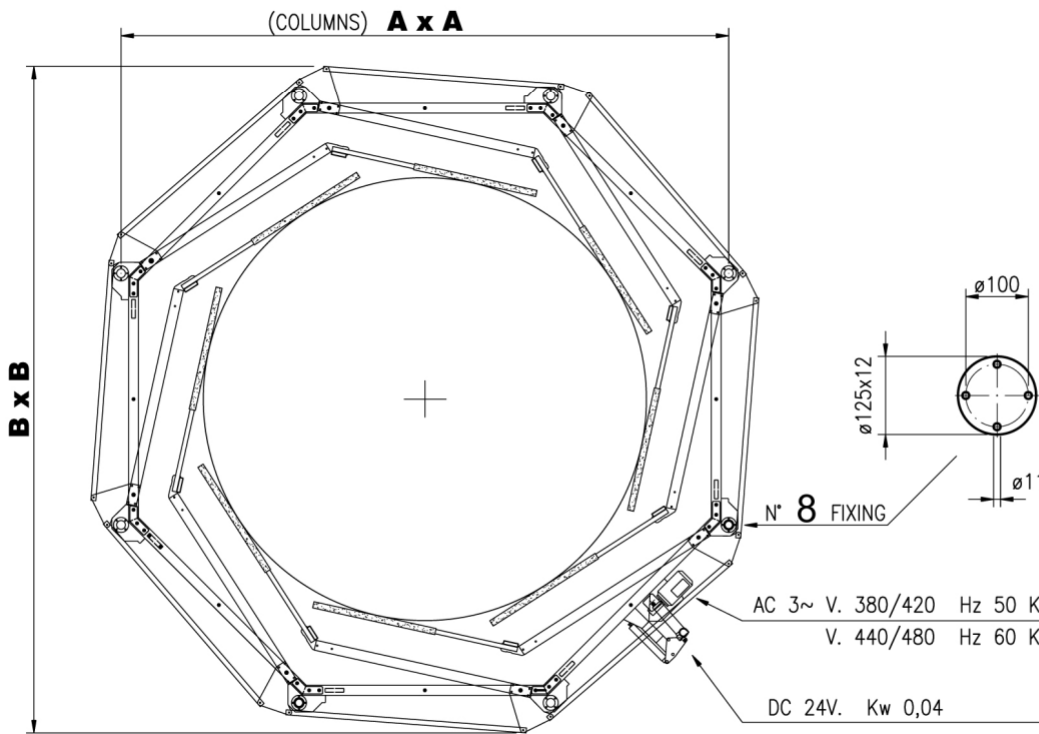
DWG 10-12-198

**SIZES 6500 ÷ 12500**

MODEL	LIFTING TYPE
<b>RA</b>	<b>C</b> TELESCOPIC COLUMNS



VERTICAL STROKES AVAILABLE (mm)
1000
1500
2000
2500
3000



AC 3~ V. 380/420 Hz 50 Kw 1.1	RA 10000/12500 Kw 1.5
V. 440/480 Hz 60 Kw 1.3	Kw 1.8
DC 24V. Kw 0,04	RA 10000/12500 Kw 0.07

LAYFLAT dimensions are already calculated considering a standard **3% film shrinkage** during the cooling

MODEL	Ø FILM MIN – MAX	LAYFLAT MIN – MAX	A	B	KG. (5 LEV.)
RA 6500-8- *-ROLL08- *-H...C	1083 ÷ 4185	1700 ÷ 6570	4860	5350	1450
RA 7000-8- *-ROLL08- *-H...C	1178 ÷ 4505	1850 ÷ 7075	5200	5690	1500
RA 7500-8- *-ROLL08- *-H...C	1275 ÷ 4840	2000 ÷ 7600	5540	6030	1550
RA 8000-8- *-ROLL08- *-H...C	1337 ÷ 5150	2100 ÷ 8090	5880	6370	1600
RA 9000-8- *-ROLL08- *-H...C	1528 ÷ 5810	2400 ÷ 9120	6560	7050	1700
RA 10000-8- *-ROLL08- *-H...C	1719 ÷ 6465	2700 ÷ 10150	7230	7720	1800
RA 11000-8- *-ROLL08- *-H...C	1910 ÷ 7100	3000 ÷ 11150	7900	8390	1850
RA 12500-8- *-ROLL08- *-H...C	2100 ÷ 8090	3300 ÷ 12700	8900	9390	2000

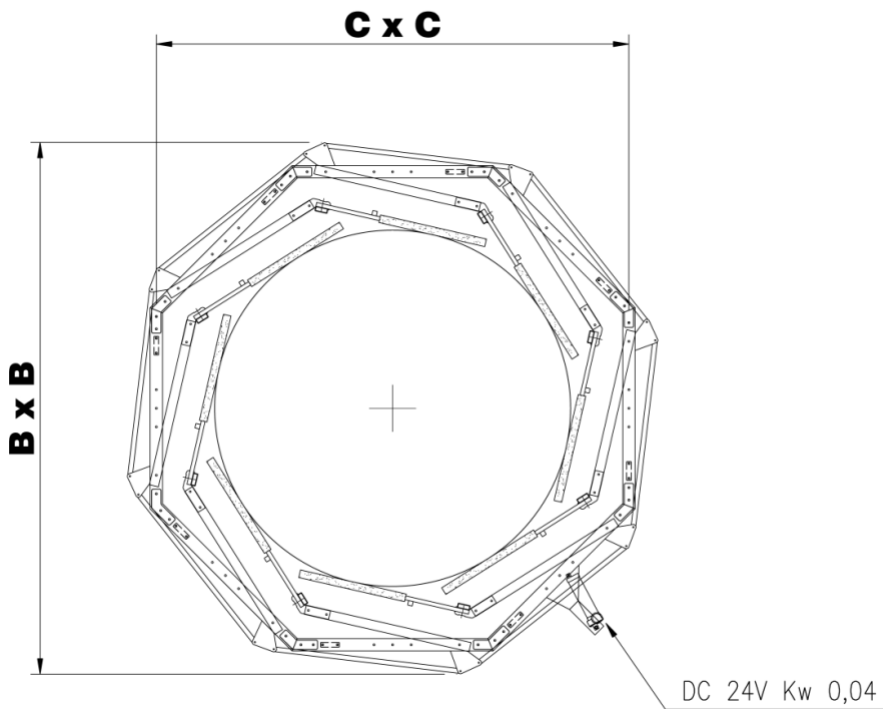
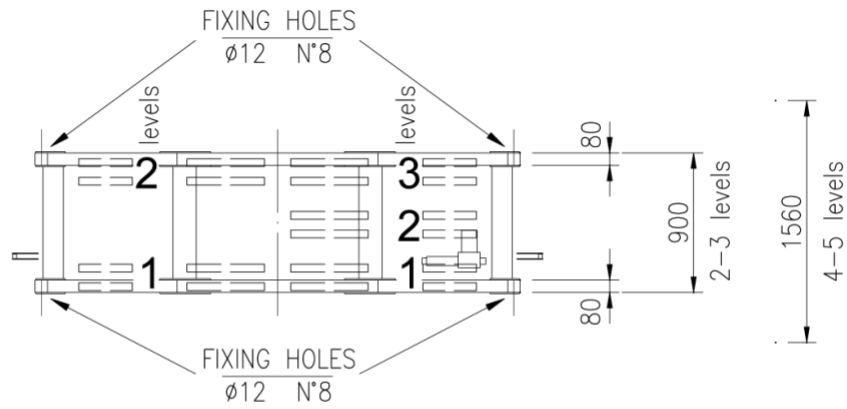
Film width already deduced for shrinkage

N° Levels ↗ Roller Code ↗ Vertical stroke ↘

DWG 10-12-195

**SIZES 3200 ÷ 6000**

MODEL  
**FM**



LAYFLAT dimensions are already calculated considering a standard **3% film shrinkage** during the cooling

MODEL	Ø FILM MIN – MAX	LAYFLAT MIN – MAX	B	C	KG. (3 LEV.)
FM 3200-8- *-ROLL08-*	573 ÷ 2063	900 ÷ 3240	2830	2450	510
FM 3500-8- *-ROLL08-*	637 ÷ 2261	1000 ÷ 3550	3030	2650	540
FM 3800-8- *-ROLL08-*	700 ÷ 2446	1100 ÷ 3840	3230	2850	570
FM 4100-8- *-ROLL08-*	764 ÷ 2643	1200 ÷ 4150	3430	3050	600
FM 4400-8- *-ROLL08-*	828 ÷ 2834	1300 ÷ 4450	3630	3250	630
FM 4700-8- *-ROLL08-*	860 ÷ 3028	1350 ÷ 4755	3830	3450	640
FM 5000-8- *-ROLL08-*	892 ÷ 3230	1400 ÷ 5070	4030	3650	670
FM 5500-8- *-ROLL08-*	955 ÷ 3555	1500 ÷ 5580	4370	3990	710
FM 6000-8- *-ROLL08-*	1020 ÷ 3880	1600 ÷ 6090	4710	4330	750

Film width already  
declassified for  
shrinkage

N° Levels ↗

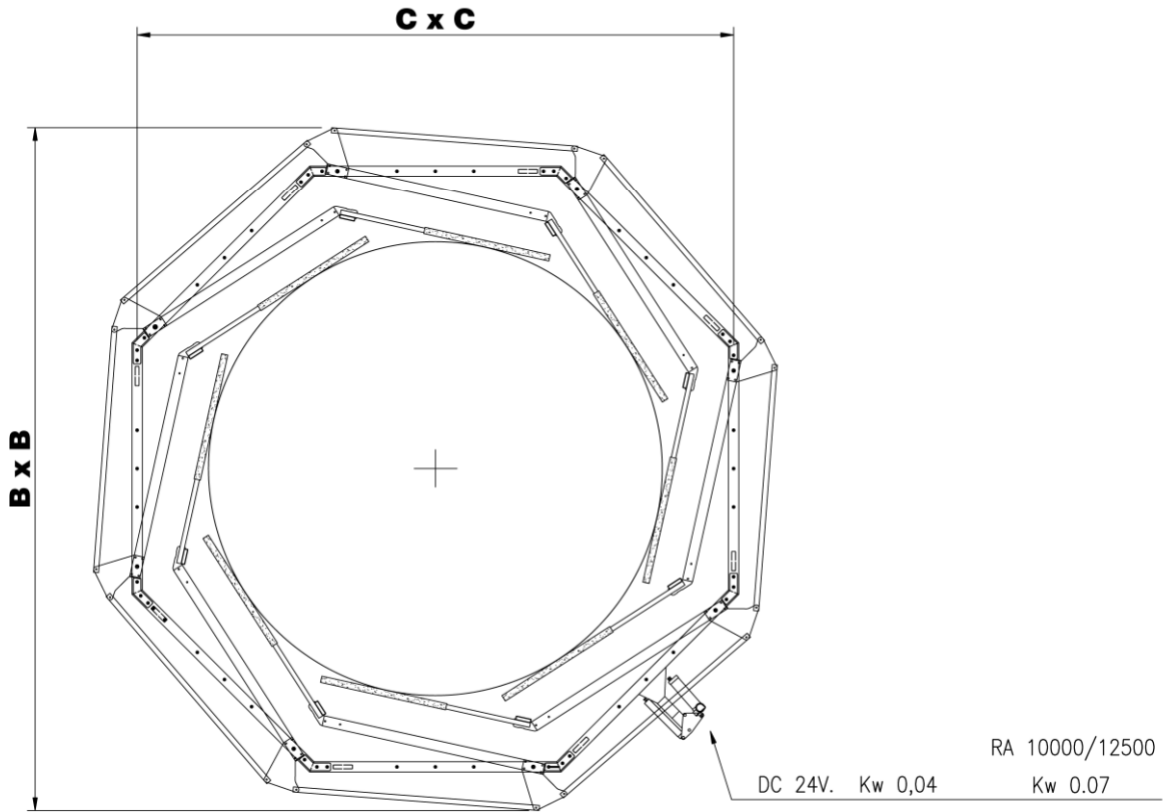
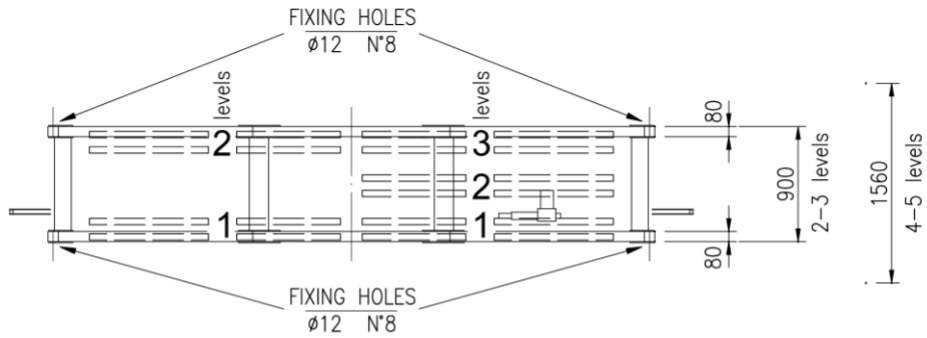
Roller Code ↖

DWG 10-12-196



**SIZES 6500 ÷ 12500**

MODEL  
**FM**



LAYFLAT dimensions are already calculated considering a standard **3% film shrinkage** during the cooling

MODEL	Ø FILM MIN - MAX	LAYFLAT MIN - MAX	B	C	KG. (3 LEV.)
FM 6500-8-* -ROLL08-*	1083 ÷ 4185	1700 ÷ 6570	5350	4660	880
FM 7000-8-* -ROLL08-*	1178 ÷ 4505	1850 ÷ 7075	5690	5000	950
FM 7500-8-* -ROLL08-*	1275 ÷ 4840	2000 ÷ 7600	6030	5340	1030
FM 8000-8-* -ROLL08-*	1337 ÷ 5150	2100 ÷ 8090	6370	5680	1100
FM 9000-8-* -ROLL08-*	1528 ÷ 5810	2400 ÷ 9120	7050	6360	1200
FM 10000-8-* -ROLL08-*	1719 ÷ 6465	2700 ÷ 10150	7720	7030	1300
FM 11000-8-* -ROLL08-*	1910 ÷ 7100	3000 ÷ 11150	8390	7700	1400
FM 12500-8-* -ROLL08-*	2100 ÷ 8090	3300 ÷ 12700	9390	8700	1500

Film width already  
deduced for  
shrinkage

N° Levels ↗

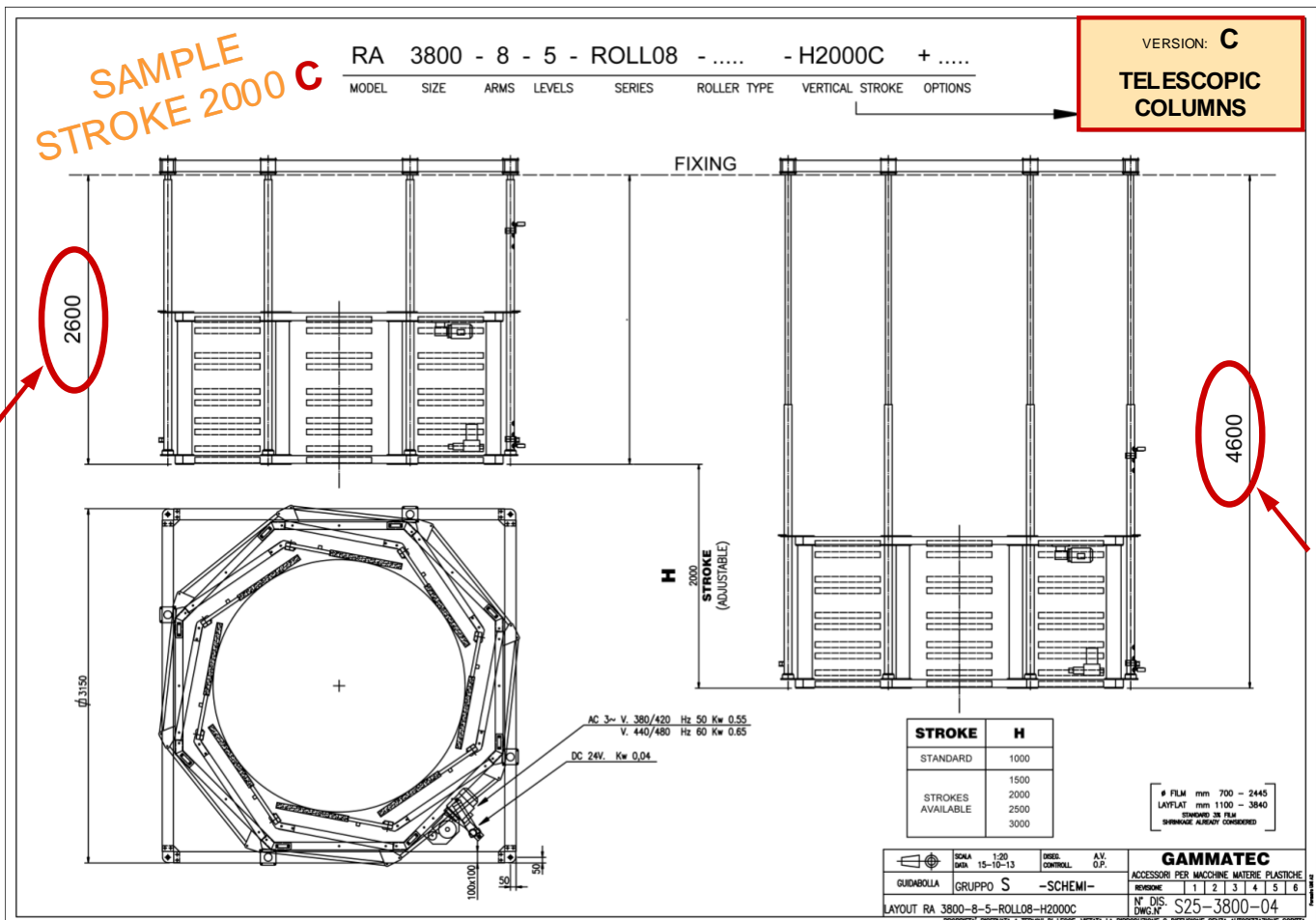
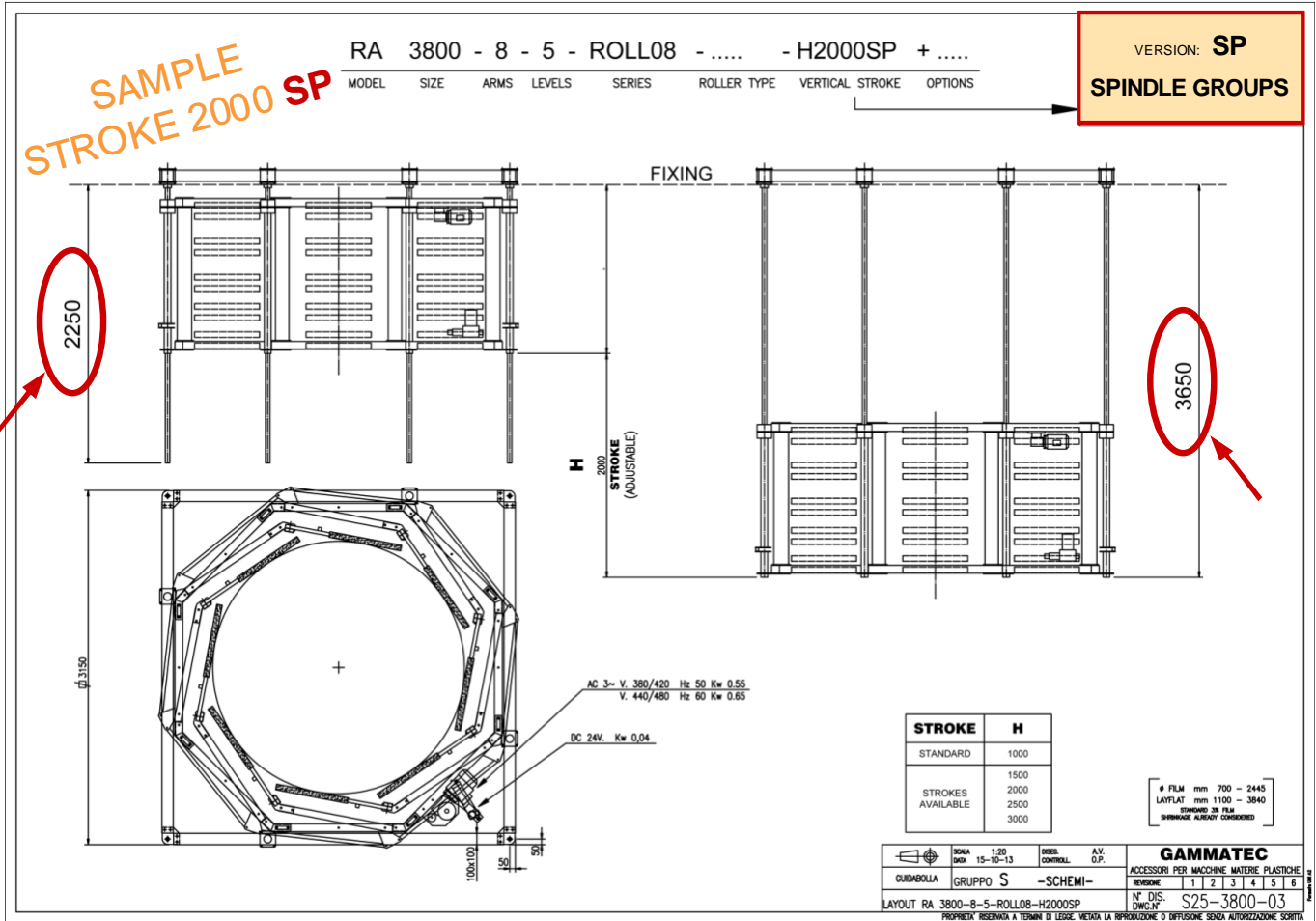
Roller Code ↘

DWG 10-12-199

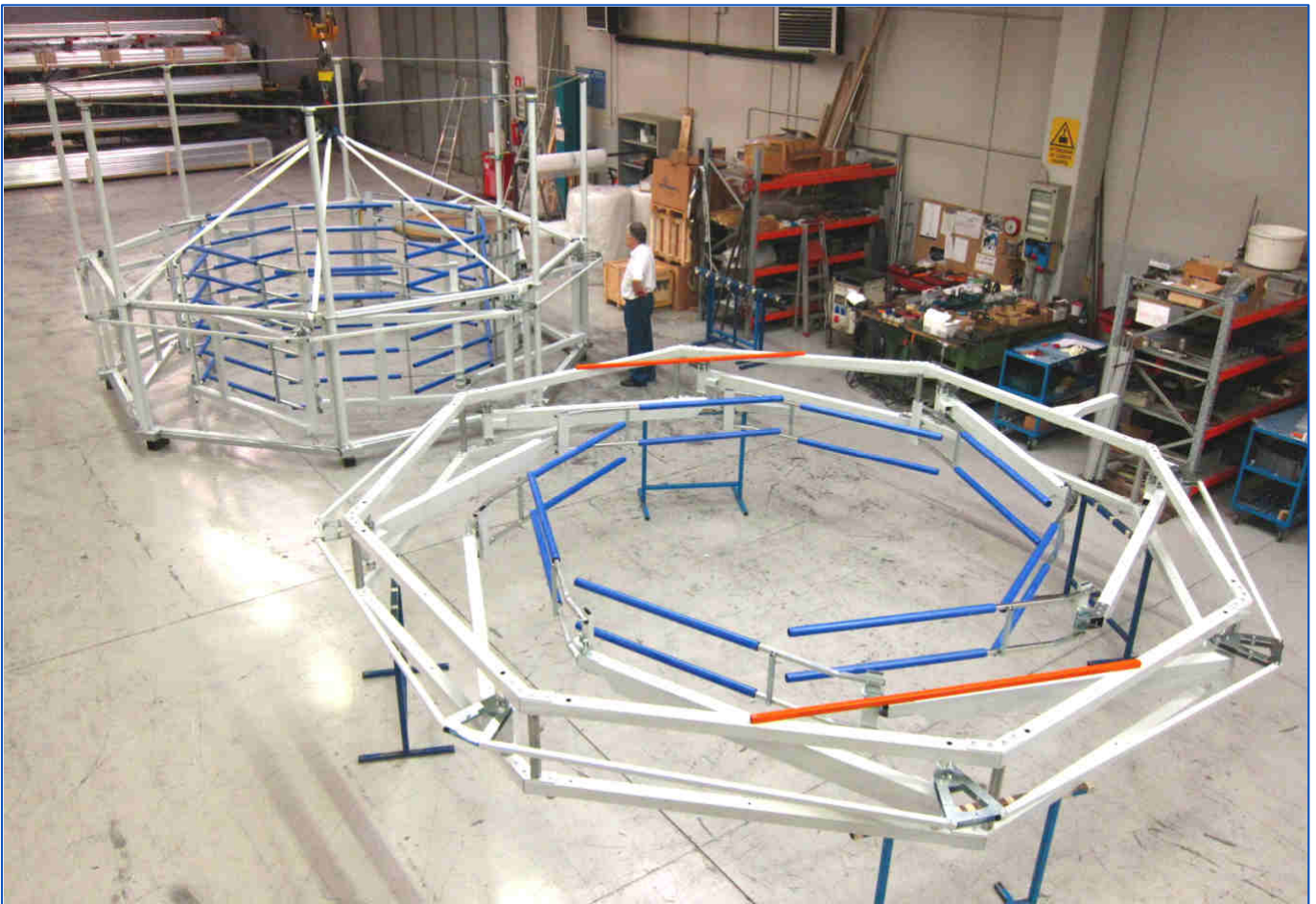
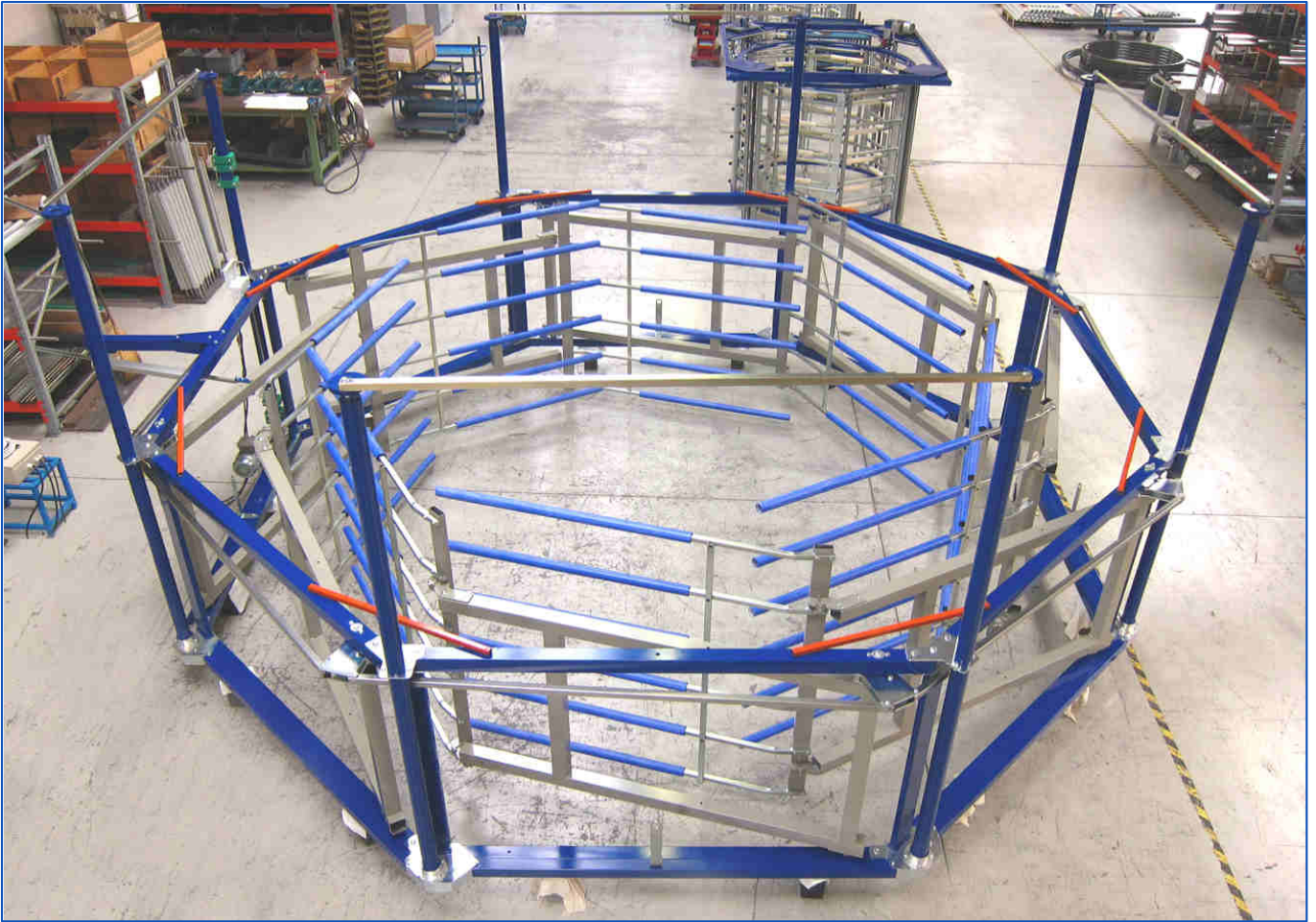
## STANDARD OPTIONS

CODE	DESCRIPTION
	<b>AXIAL ADJUSTMENT AND FIXINGS</b>
<b>+SAM</b>	X-Y manual axial adjustment. Versions for RA and FM models
<b>+S</b>	Set mounting brackets for FM models
	<b>BRACKETS FOR IBC / LAYFLAT SENSORS</b>
<b>+TU1</b>	Bracket for 1 IBC sensor positioned on arm
<b>+TU2</b>	Brackets for 2 IBC sensors positioned on arms
<b>+TU3</b>	Brackets for 3 IBC sensors positioned on arms
<b>+TU4</b>	Brackets for 4 IBC sensors positioned on arms
<b>+TUF3</b>	Brackets for 3 IBC sensors fixed on lower frame
<b>+TUF4</b>	Brackets for 3 IBC sensors fixed on lower frame
<b>+SDF2</b>	Holders for 2 Layflat sensors positioned on top frame
<b>+SDF3</b>	Holders for 3 Layflat sensors positioned on top frame
<b>+SDF4</b>	Holders for 4 Layflat sensors positioned on top frame
	<b>ELETTICAL PARTS AND CONTROLS</b>
<b>+QFM</b>	Electrical board with commands for "Open-Close" (FM models)
<b>+QRA</b>	Electrical board with commands "Open-Close" and "Up-Down" (RA models)
<b>+PB</b>	Additional Push-Buttons with commands
<b>+REG</b>	Speed regulation card for "Open-Close" motor
<b>+PAC</b>	Potentiometer 5 kΩ on Diameter adjustment
<b>+PRAF</b>	Potentiometer 10 kΩ on Vertical adjustment
<b>+ENC</b>	Predisposition for Encoder mounting on Diameter adjustment
	<b>VERTICAL ADJUSTMENT</b> (standard 1000 mm)
<b>+H1500</b>	Stroke 1500 mm <b>SP</b> version or <b>C</b> version
<b>+H2000</b>	Stroke 2000 mm <b>SP</b> version or <b>C</b> version
<b>+H2500</b>	Stroke 2500 mm <b>SP</b> version or <b>C</b> version
<b>+H3000</b>	Stroke 3000 mm <b>C</b> version
	<b>"CL" PACKAGE - CERTIFIED LIFTING SYSTEM FOR ADDITIONAL WEIGHTS</b>
<b>+CL...</b>	Available soon
	<b>SPECIAL PREPARATIONS</b>
<b>...</b>	According to customer specifications

**OTHER SPECIAL OPTIONS ON REQUEST**













NOTES

---

---

---

---

---

---

---

---

---

---

---

---

---

---

---

---

---

---

---

---

---

---

---

---

---

---

---

---

---

---



**GAMMATEC Srl**  
Via Valfurva, 2 - 20027 Rescaldina (MI) Italy  
Tel. +39 0331 579804 - Fax +39 0331 579806  
[www.gammatec.it](http://www.gammatec.it) - [mail@gammatec.it](mailto:mail@gammatec.it)